

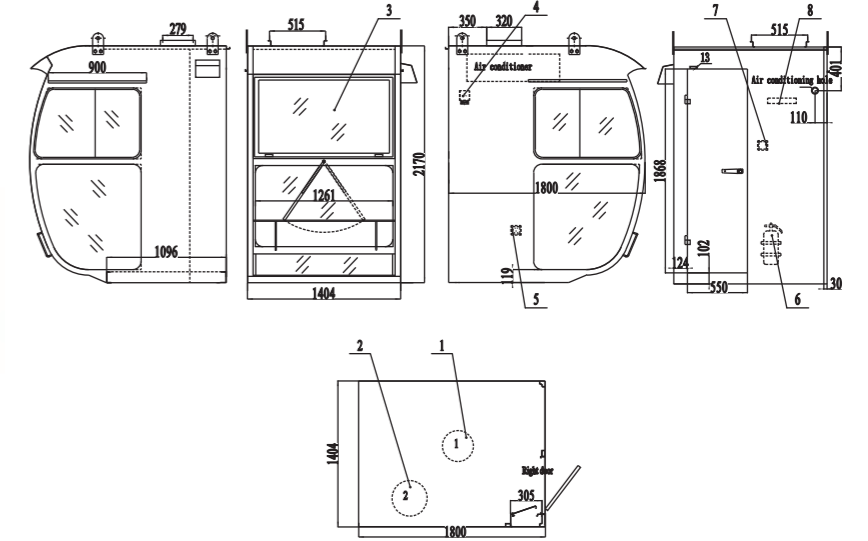
Crane Control System

Crane Cabin, Control Panel, Remote Control

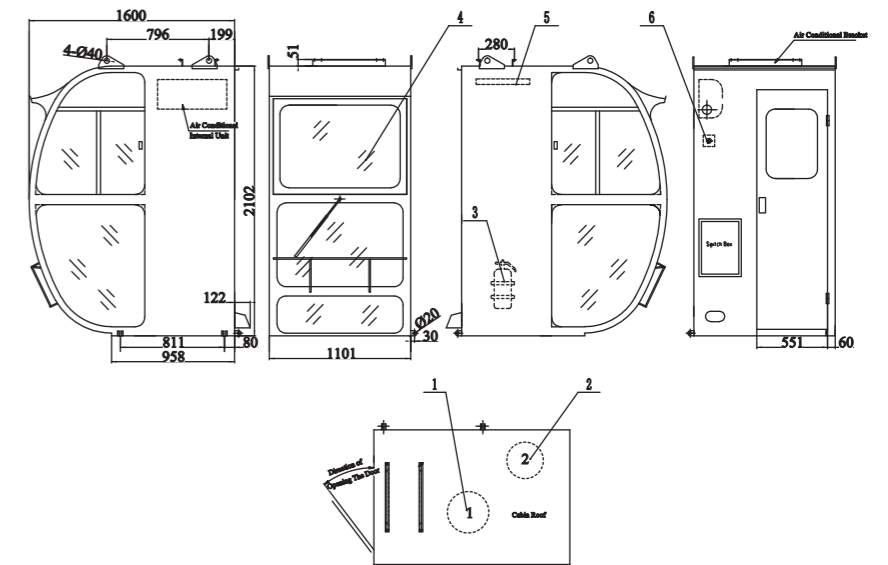
Catalogue

NTC, NCP, F Series, NXAC

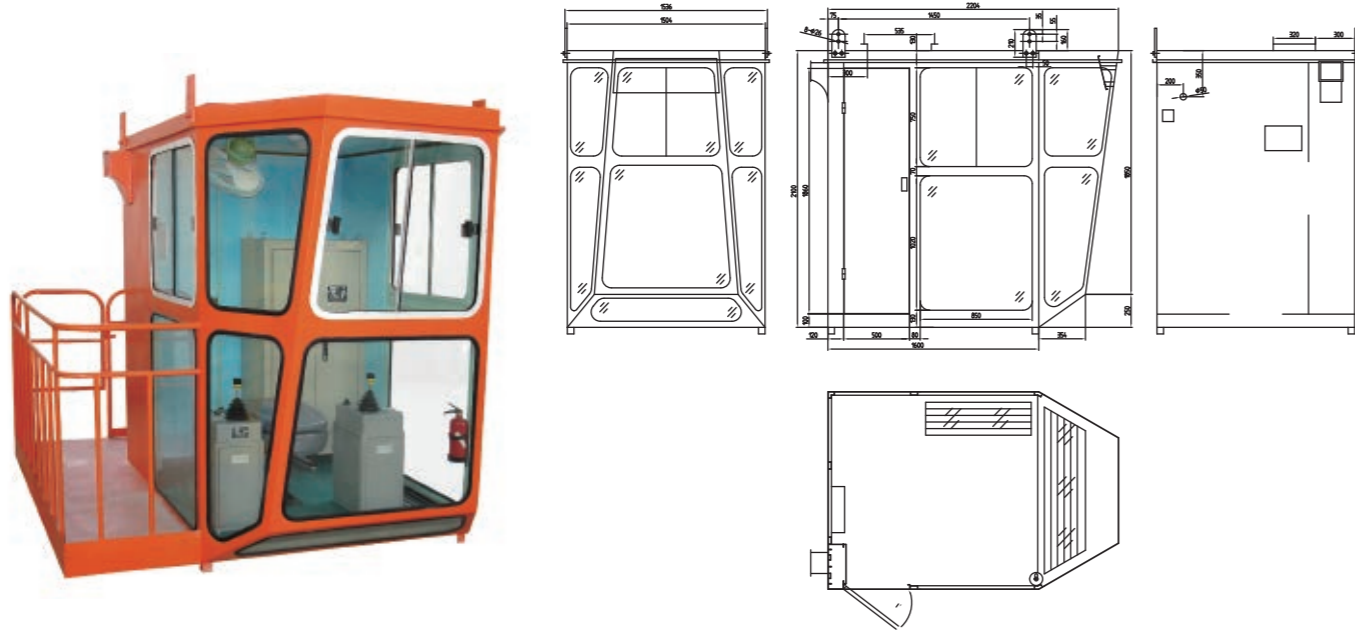
Crane Cabin
NTC-1.4



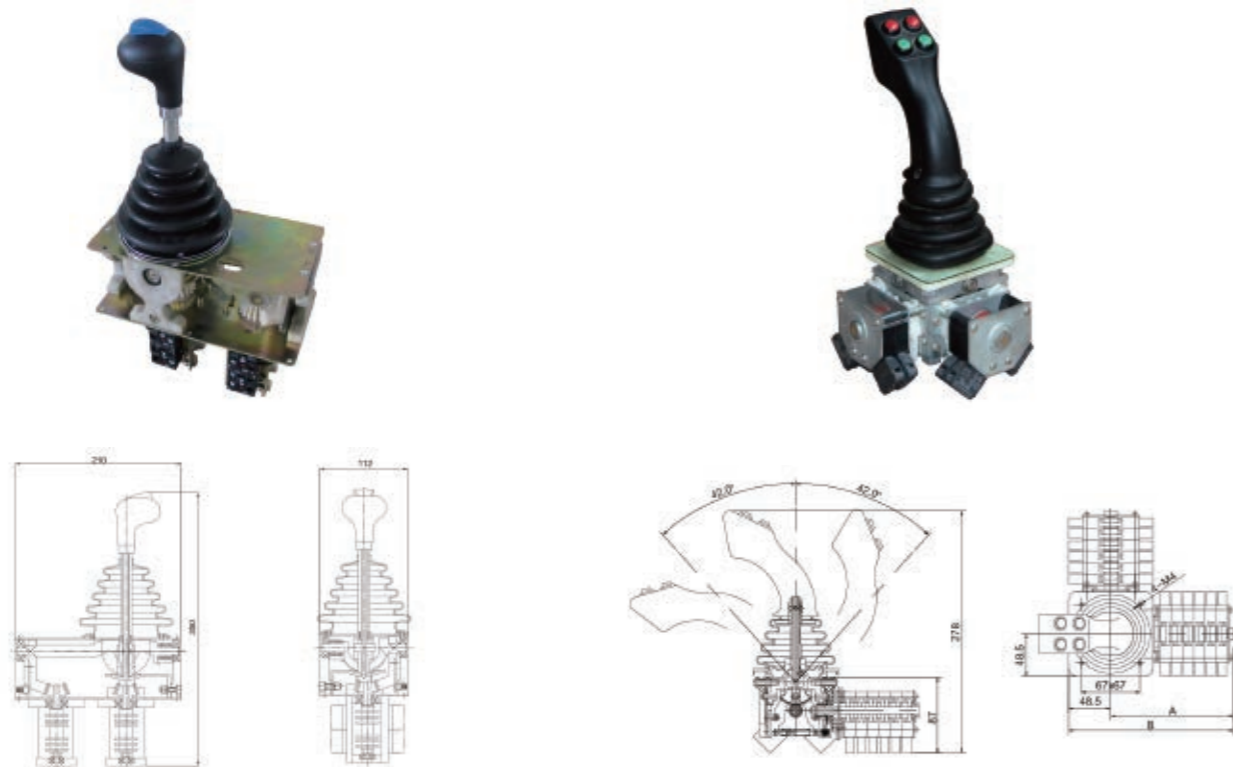
Crane Cabin
NTC-1.1



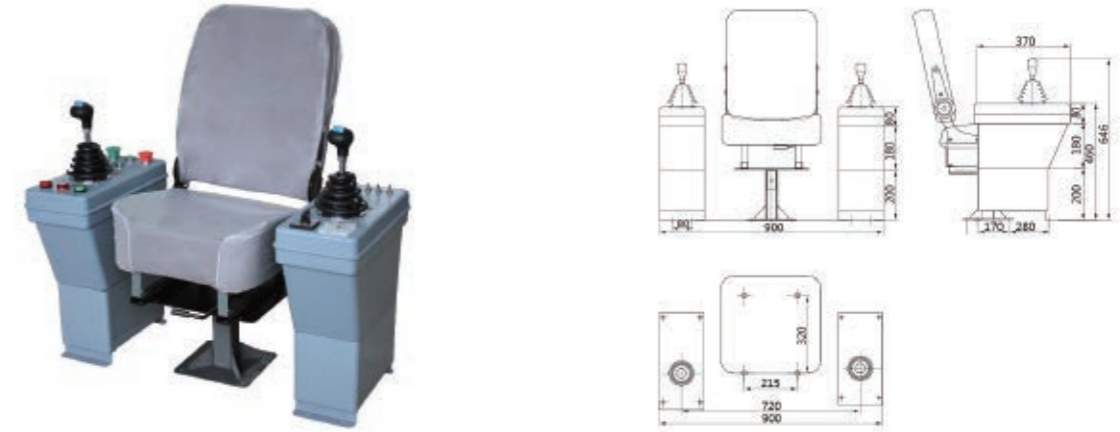
Crane Cabin
NTC-1.5



Joystick
NTJSK3 / WLK5



Control Console
NTQTA2 Series



NTQTA2 Control Console			
Working Temperature	-40°C to 50°C	Max.Operating Directions	8
Handle Stick Operating Force	≤20N	Mechanisms be Controlled	2
Mechanical Life	1.6 millom times Each direction	Max.Shift Steps Each Direction	5
Shift Step with Auto Zero Reseting			
Power supply	AC	Max.Contacts Each Mechanism	11
Rated Current	10A	Handle Stick with zero position lock device	
Electrical Durability	1 million times	Rated Operation Frequency	1200times/hour

Control Console
NTQTC2 Series



NTQTC2 Control Console			
Working Temperature	-40°C to 50°C	Max.Operating Directions	8
Handle Stick Operating Force	≤20N	Mechanisms be Controlled	2
Mechanical Life	1.6 millom times Each direction	Max.Shift Steps Each Direction	5
Shift Step without Auto Zero Reseting			
Power supply	AC	Max.Contacts Each Mechanism	11
Rated Current	10A	Handle Stick with zero position lock device	
Electrical Durability	1 million times	Rated Operation Frequency	1200times/hour